



SIMPLE WOODWORKING:
COUNTRY BENCH

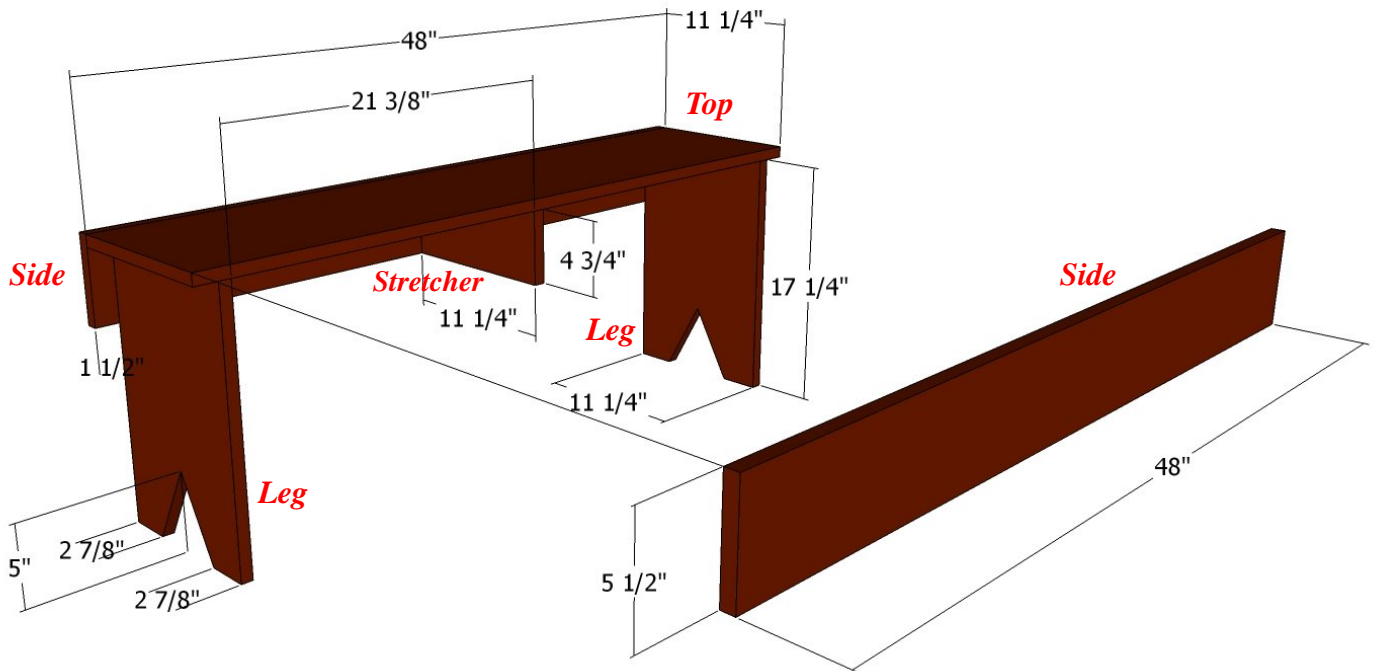


PARTS

- Legs (2) - 3/4 x 11 1/4 x 17 1/4
- Stretcher (1) - 3/4 x 4 3/4 x 11 1/4
- Top (1) - 3/4 x 11 1/4 x 48
- Sides (2) - 3/4 x 5 1/2 x 48

LUMBER

- 2 - 1 x 12 x 6
- 2 - 1 x 6 x 4



Assemble with glue and pocket hole screws, glue and 1 5/8-inch screws, or glue and 6d nails.