

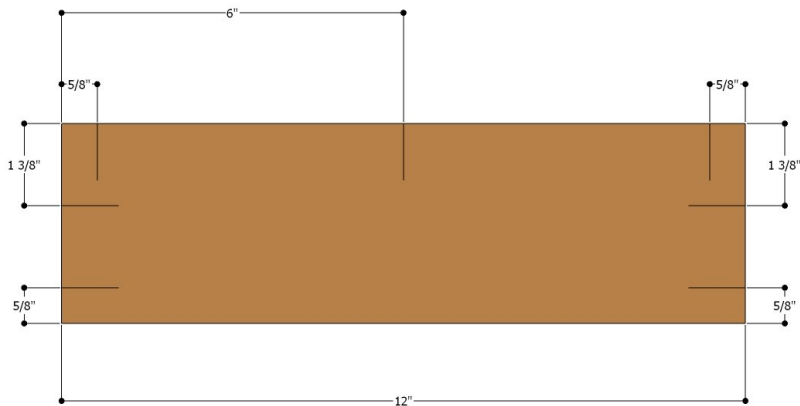


PARTS

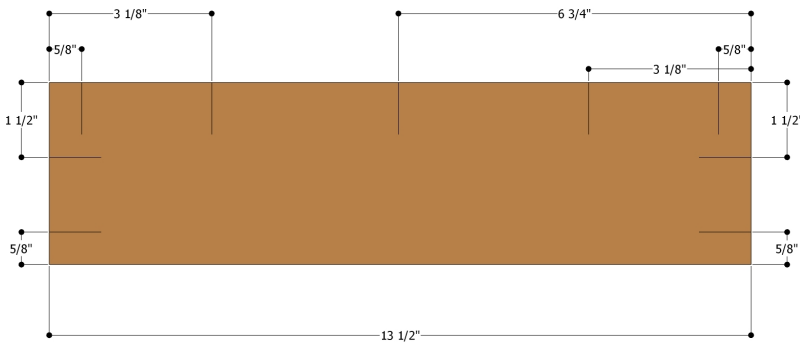
- Short Aprons (2) - 3/4 x 3 1/2 x 12
- Long Aprons (2) - 3/4 x 3 1/2 x 13 1/2
- Legs (4) - 1 1/2 x 1 1/2 x 15 1/4
- Top slats (5) - 3/4 x 3 1/2 x 16 1/2

LUMBER

- 2 - 2 x 2 x 3
- 2 - 1 x 4 x 6

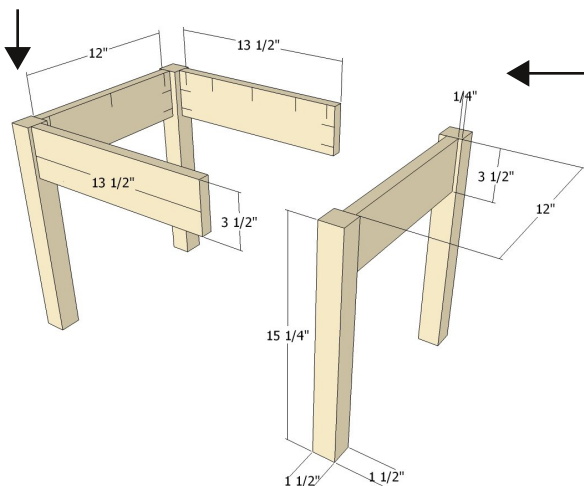


Short Apron Layout: Pocket hole placement dimensions.



Long Apron Layout: Pocket hole placement dimensions.

Attach the Short Aprons to the Legs with glue and pocket hole screws. Use spacers to place the aprons 1/4-inch from the face of the legs.



Attach the Long Aprons to the Short Apron assemblies with glue and pocket hole screws. Use spacers to place the aprons 1/4-inch from the face of the legs.

Place the outer Top Slats parallel to the Short Apron sides and 3/4-inch from the outer edges of the legs and attach with glue and pocket hole screws. Space the remaining Top Slats 1/8-inch apart and attach with glue and pocket hole screws.

