

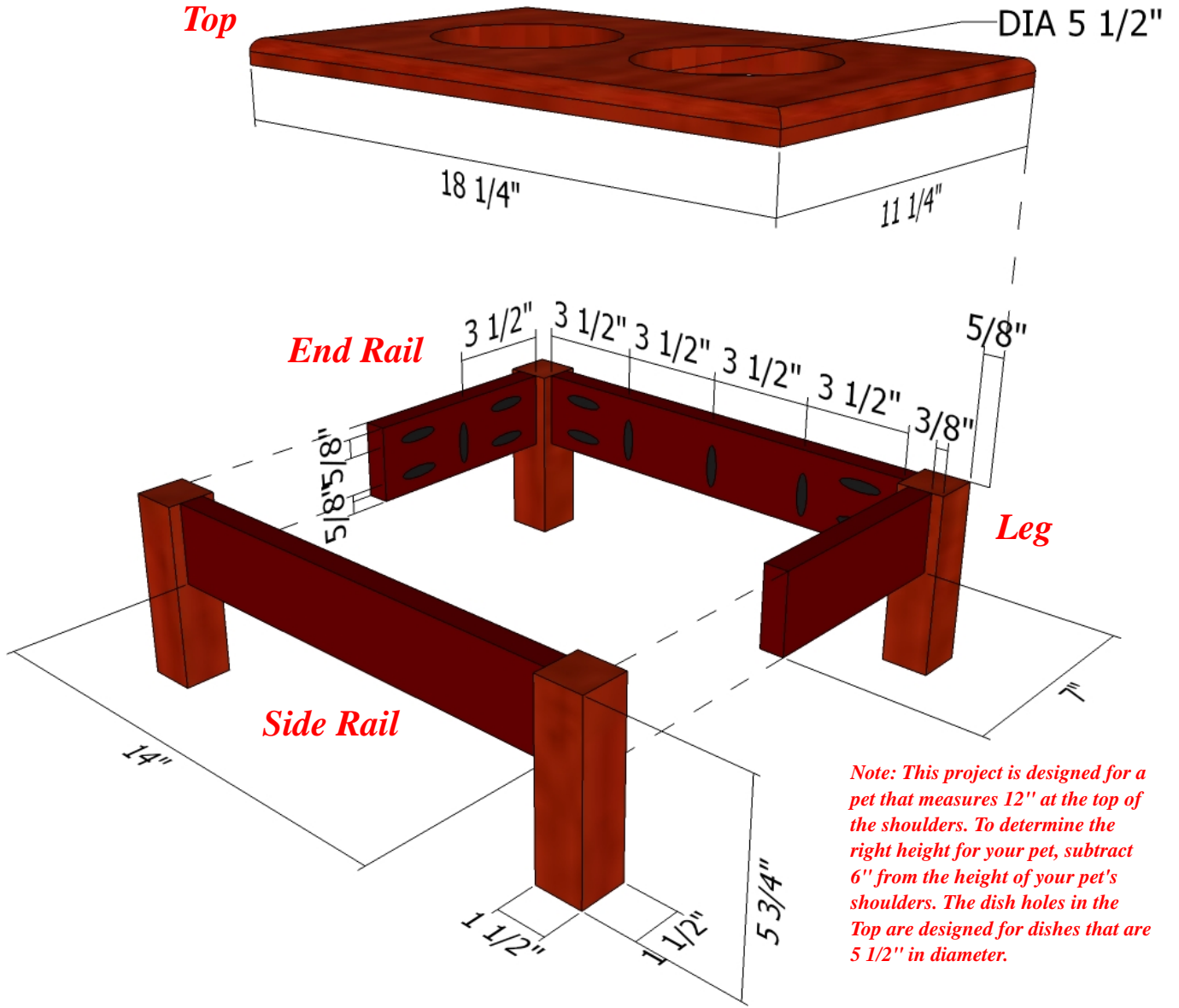
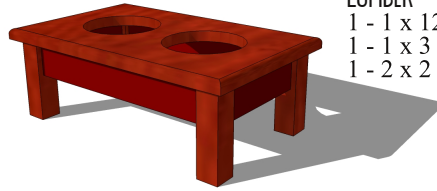


PARTS
 Side Rails (2) - 3/4 x 2 1/2 x 14
 Legs (4) - 1 1/2 x 1 1/2 x 5 3/4
 End Rails (2) - 3/4 x 2 1/2 x 7
 Top (1) - 3/4 x 11 1/4 x 18 1/4

LUMBER
 1 - 1 x 12 x 2
 1 - 1 x 3 x 4
 1 - 2 x 2 x 3 (36")

HARDWARE
 1 1/4" pocket hole screws
 4d nails

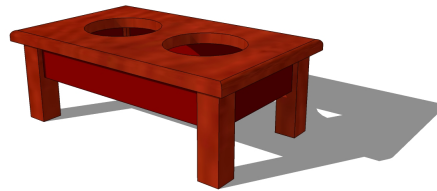
**SIMPLE WOODWORKING:
 PET DISH STAND**



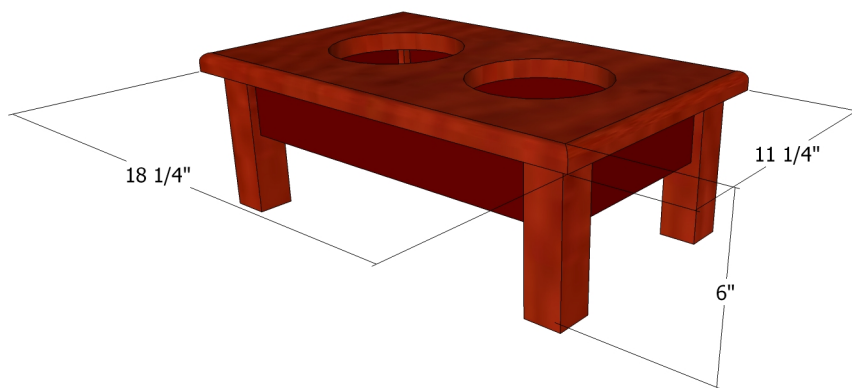
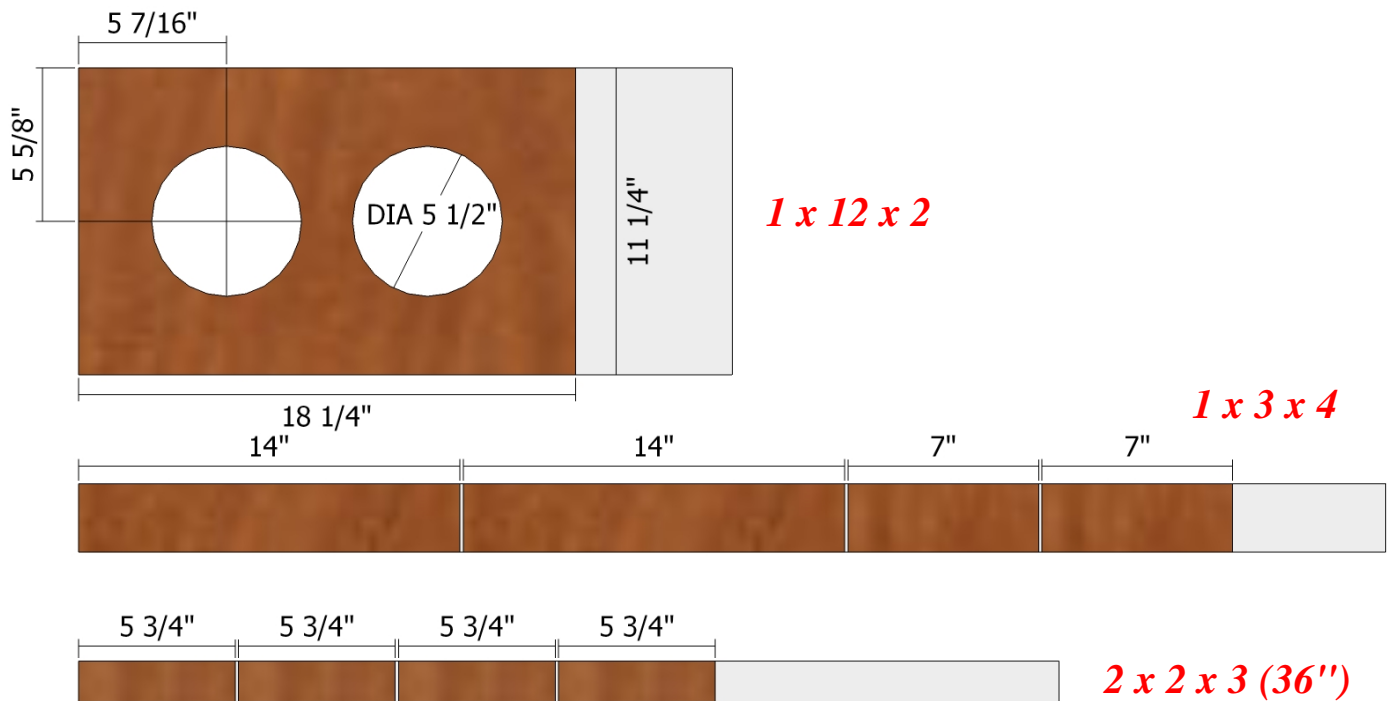
Note: This project is designed for a pet that measures 12" at the top of the shoulders. To determine the right height for your pet, subtract 6" from the height of your pet's shoulders. The dish holes in the Top are designed for dishes that are 5 1/2" in diameter.

*Use the figure above and the Cutting Diagram on Page 2 as guides to cut the parts to size and shape and to drill pocket holes. **Set your Kreg Jig and drill bit for 3/4" stock.***

Position the End Rails, Side Rails, Legs as shown and attach using glue and 1 1/4" screws. Be sure to position the Rails centered on the width of the Legs and flush with the end. Position the Top centered across the assembly (the overhang will be roughly 3/8") and attach using glue and 1 1/4" pocket hole screws at the Rails. Drive 4d nails through the Top and into the Legs.



CUTTING DIAGRAM



Follow ALL SAFETY GUIDELINES AND RECOMMENDATIONS provided by the manufacturers of your tools, and any chemicals such as glue and finishes you use in this project. YOU are responsible for your safety, so use common sense when working in the shop!