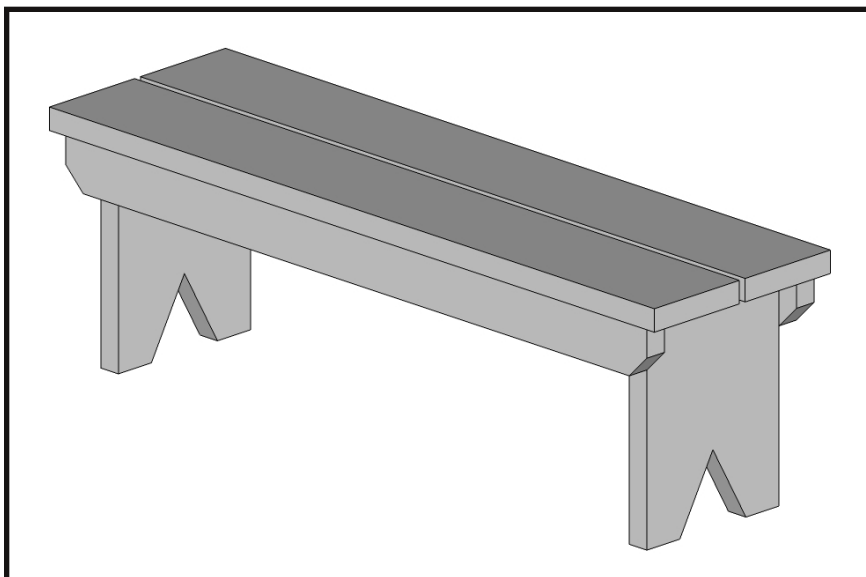
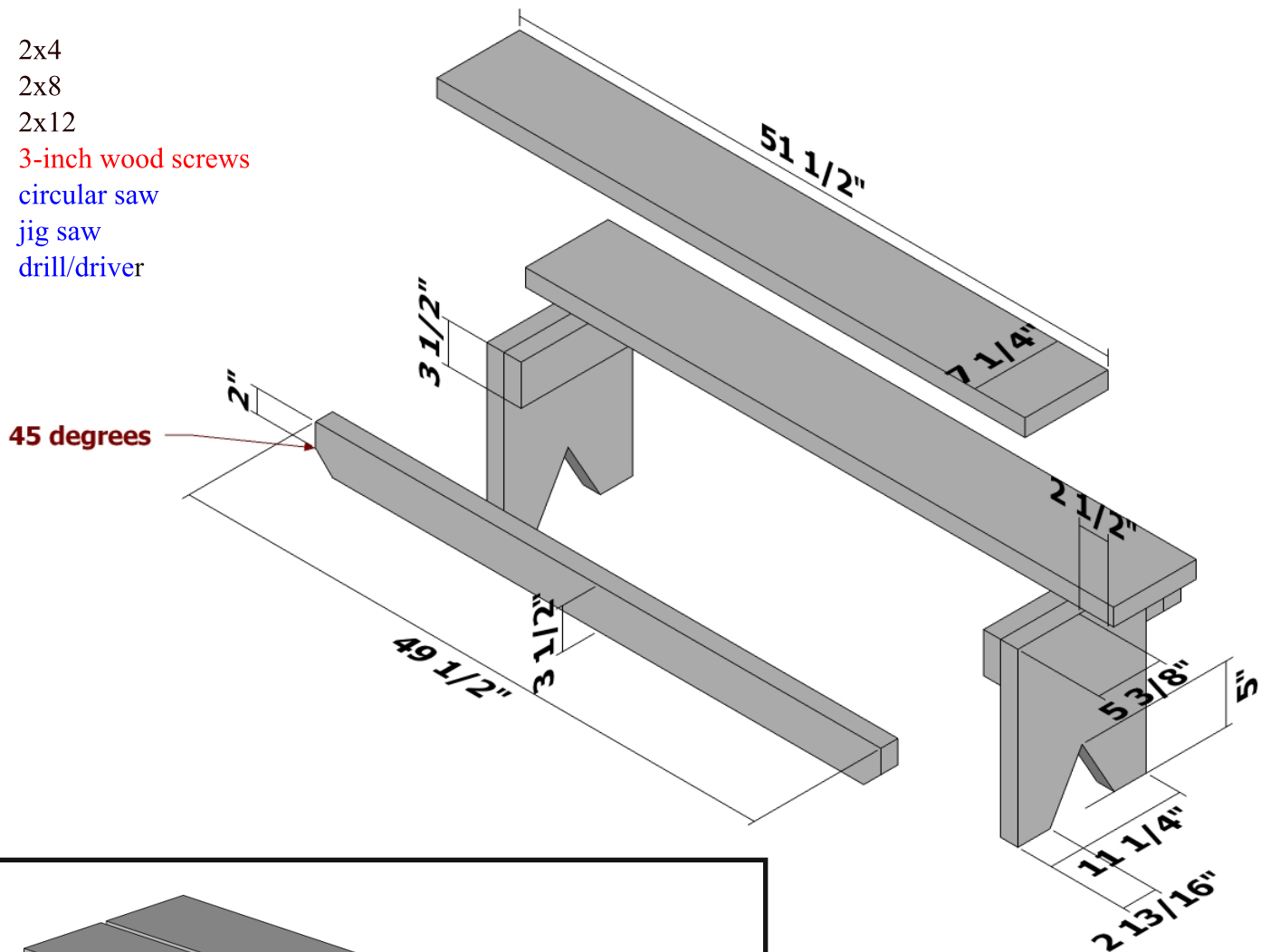




QUICK PROJECT: LOCKER ROOM BENCH

- 2x4
- 2x8
- 2x12
- 3-inch wood screws
- circular saw
- jig saw
- drill/driver



 **MORE PLANS**

Want more Chief's Shop plans? Visit chiefs-shop.com and look through the Plans section. Be sure to "Like" Chief's Shop on facebook by heading over to facebook.com/ChiefsShop.